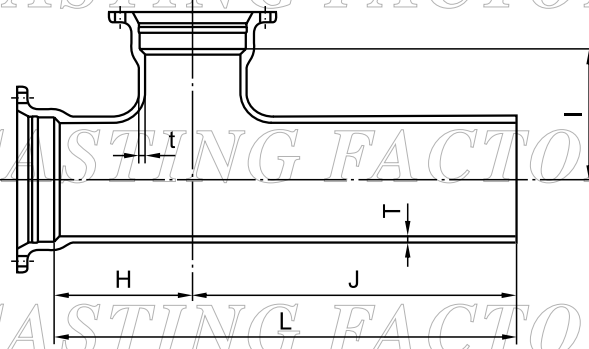
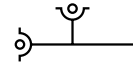




● K型雙承口丁字管



單位：mm

標稱管徑		管 厚		各 部 尺 度				質 量
D	d	T	t	H	I	J	L	(Kg)
75	75	8.5	8.5	160	140	480	640	21.9
100	75	8.5	8.5	180	160	530	710	28.0
	100	8.5	8.5	180	160	530	710	29.9
150	75	9.0	8.5	190	190	600	790	41.6
	100	9.0	8.5	190	190	600	790	43.4
	150	9.0	9.0	190	190	600	790	47.3
200	100	11.0	10.0	200	230	560	760	60.4
	150	11.0	11.0	250	250	630	880	71.7
	200	11.0	11.0	250	250	630	880	75.8
250	100	12.0	10.0	230	250	600	830	82.0
	150	12.0	11.0	230	250	600	830	86.1
	250	12.0	12.0	280	260	670	950	103.0
300	100	12.5	10.0	240	280	600	840	106.0
	150	12.5	11.0	240	280	600	840	110.0
	200	12.5	11.0	330	300	700	1030	131.0
	300	12.5	12.5	330	300	700	1030	146.0
350	250	13.0	12.0	360	340	750	1110	168.0
	350	13.0	13.0	360	340	750	1110	185.0
400	300	14.0	12.5	410	390	780	1190	222.0
	400	14.0	14.0	410	390	780	1190	238.0
450	300	14.5	12.5	440	420	820	1260	264.0
	450	14.5	14.5	440	420	820	1260	289.0
500	300	15.0	12.5	480	460	850	1330	311.0
	350	15.0	13.0	480	460	850	1330	318.0
	500	15.0	15.0	480	460	850	1330	346.0
600	400	16.0	14.0	550	530	920	1470	434.0
	500	16.0	15.0	550	530	920	1470	452.0
	600	16.0	16.0	550	530	920	1470	472.0
700	400	17.0	14.0	620	600	980	1600	566.0
	500	17.0	15.0	620	600	980	1600	583.0
	600	17.0	16.0	620	600	980	1600	602.0
	700	17.0	17.0	620	600	980	1600	629.0
800	500	18.0	15.0	690	670	1030	1720	732.0
	600	18.0	16.0	690	670	1030	1720	750.0
	700	18.0	17.0	690	670	1030	1720	776.0
	800	18.0	18.0	690	670	1030	1720	803.0
900	600	19.0	16.0	600	690	940	1540	796.0
	700	19.0	17.0	770	750	1090	1860	961.0
	800	19.0	18.0	770	750	1090	1860	987.0
	900	19.0	19.0	770	750	1090	1860	1020.0
1000	600	20.0	16.0	680	770	990	1670	988.0
	800	20.0	18.0	840	820	1140	1980	1190.0
	1000	20.0	20.0	840	820	1140	1980	1270.0
1100	600	21.0	16.0	650	800	1000	1650	1110.0
	800	21.0	18.0	740	830	1050	1790	1240.0
	1100	21.0	21.0	910	890	1200	2110	1540.0
1200	600	22.0	17.0	680	860	1000	1680	1280.0
	900	22.0	19.0	810	910	1100	1910	1500.0
	1200	22.0	22.0	970	950	1250	2220	1830.0



● K型雙承口丁字管

SHIN NAN CASTING FACTORY CO., LTD.

單位：mm

標稱管徑		管 厚		各 部 尺 度				質 量
D	d	T	t	H	I	J	L	(Kg)
1350	600	24.0	19.0	700	950	1000	1700	1580
	900	24.0	19.0	860	1000	1150	2010	1870
	*1350	24.0	24.0	1080	1050	1350	2430	2530
1500	600	26.0	21.0	730	1050	1000	1730	1920
	1000	26.0	21.0	920	1100	1200	2120	2360
	*1500	26.0	26.0	1180	1150	1400	2580	3170
1600	900	27.5	21.0	840	1110	1150	1990	2460
	1000	27.5	21.0	940	1140	1250	2190	2700
	1100	27.5	22.0	940	1140	1250	2190	2730
	1200	27.5	23.0	1070	1180	1350	2420	3010
	*1350	27.5	24.0	1070	1180	1350	2420	3170
	*1500	27.5	26.0	1150	1200	1450	2600	3460
	*1600	27.5	27.5	1200	1200	1500	2700	3710
1650	1000	28.0	21.0	940	1160	1250	2190	2830
	1100	28.0	22.0	940	1160	1250	2190	2860
	1200	28.0	23.0	1070	1200	1350	2420	3160
	1350	28.0	24.0	1070	1200	1350	2420	3210
	*1500	28.0	26.0	1150	1200	1450	2600	3590
	*1600	28.0	27.5	1210	1230	1500	2710	3830
	*1650	28.0	28.0	1230	1230	1530	2760	3980
1800	1000	30.0	22.0	960	1240	1250	2210	3300
	1100	30.0	23.0	960	1240	1250	2210	3330
	1200	30.0	24.0	1080	1270	1400	2480	3700
	1350	30.0	25.0	1080	1270	1400	2480	3750
	*1500	30.0	26.0	1170	1300	1450	2620	4140
	*1600	30.0	27.5	1220	1300	1510	2730	4350
	*1650	30.0	28.0	1240	1300	1540	2780	4470
2000	*1800	30.0	30.0	1310	1310	1610	2920	4850
	1100	32.0	23.0	960	1350	1250	2210	3940
	1200	32.0	24.0	1090	1390	1400	2490	4400
	1350	32.0	25.0	1090	1390	1400	2490	4440
	1500	32.0	26.0	1170	1410	1500	2670	4770
	*1600	32.0	27.5	1220	1410	1520	2740	5110
	*1650	32.0	28.0	1250	1410	1550	2800	5240
2100	*1800	32.0	30.0	1330	1420	1630	2960	5610
	*2000	32.0	32.0	1430	1430	1730	3160	6180
	1100	33.0	23.0	970	1400	1260	2230	4290
	1200	33.0	24.0	1100	1420	1400	2500	4750
	1350	33.0	25.0	1100	1440	1400	2500	4800
	1500	33.0	26.0	1170	1450	1500	2670	5120
	1600	33.0	27.5	1230	1470	1540	2770	5360
2200	*1650	33.0	28.0	1260	1470	1560	2820	5660
	*1800	33.0	30.0	1330	1470	1640	2970	6010
	*2000	33.0	32.0	1440	1490	1750	3190	6570
	*2100	33.0	33.0	1490	1490	1800	3290	6920
	1200	34.0	24.0	1100	1480	1410	2510	5160
	1350	34.0	25.0	1100	1500	1410	2510	5210
	1500	34.0	26.0	1190	1510	1500	2690	5570
2400	1600	34.0	27.5	1240	1530	1540	2780	5800
	1650	34.0	28.0	1260	1530	1570	2830	5920
	*1800	34.0	30.0	1340	1530	1640	2980	6500
	*2000	34.0	32.0	1450	1550	1750	3200	7070
	*2100	34.0	33.0	1500	1550	1800	3300	7350
	*2200	34.0	34.0	1550	1550	1850	3400	7740
	1350	36.0	25.0	1140	1560	1390	2530	5950
2600	1500	36.0	26.0	1220	1570	1470	2690	6300
	1600	36.0	27.5	1260	1580	1510	2770	6520
	1650	36.0	28.0	1290	1590	1540	2830	6680
	1800	36.0	30.0	1370	1610	1620	2990	7100
	*2000	36.0	32.0	1470	1630	1720	3190	7920
	*2100	36.0	33.0	1530	1650	1780	3310	8280
	*2200	36.0	34.0	1590	1660	1840	3430	8640
2600	*2400	36.0	36.0	1680	1680	1930	3610	9390
	1500	37.5	26.0	1250	1690	1390	2640	7130
	1600	37.5	27.5	1300	1700	1440	2740	7410
	1650	37.5	28.0	1320	1710	1470	2790	7560
	1800	37.5	30.0	1400	1720	1540	2940	7980
	2000	37.5	32.0	1500	1740	1650	3150	8600
	2100	37.5	33.0	1560	1750	1700	3260	8930
2600	*2200	37.5	34.0	1610	1760	1860	3470	9840
	*2400	37.5	36.0	1710	1790	1970	3680	10600
	*2600	37.5	37.5	1810	1810	2070	3880	11580

備考：標稱管徑欄有\*符號之管，須附補強肋。

SHIN NAN CASTING FACTORY CO., LTD.